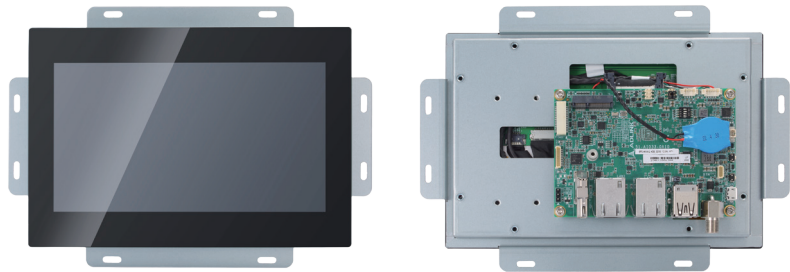


SP2-IMX8 Series

NXP® ARM processor-based
Open Frame Computer



Features

- NXP i.MX8M Plus high-performance processor
- Projected capacitive touch screen, full flat design
- 12V DC in or 12-24V DC in
- 32GB eMMC and external Micro SD slot for storage expansion
- Expansible I/O design from edge I/O
- Physical Recovery and Reset button
- Support Speaker, Mic-in, Line-out and buzzer
- Support 1GbE LAN TSN

Software Support

- Linux Yocto (Default)
- Android 13 (Optional)
- Windows 10 (By demand)

Optional Accessories

- Adapter: 12V 60W power adapter
- I/O Cables: Power/Reset, I2C, DI/O, speaker, MIC in/Line out, COM port, and USB cables
- Wireless Kit: Wi-Fi module

Ordering Information

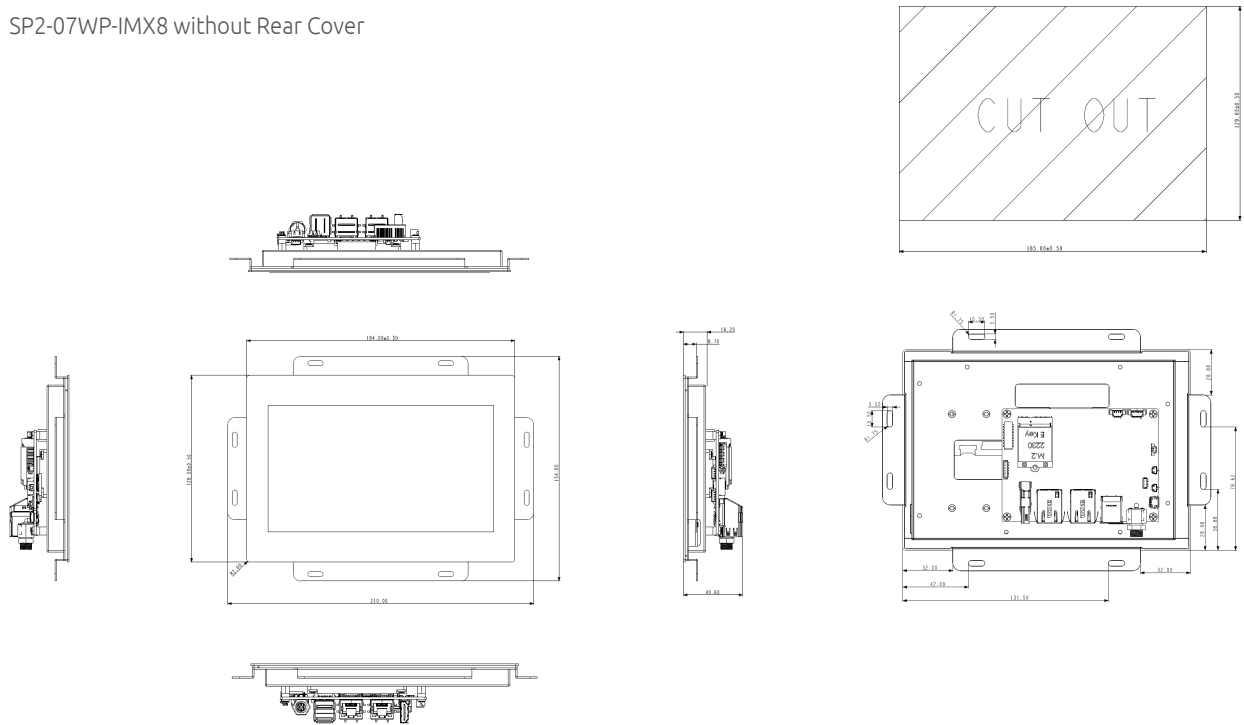
- SP2-07WP-IMX8
7" ARM-based open frame computer
- SP2-10WP-IMX8
10.1" ARM-based open frame computer

Specifications

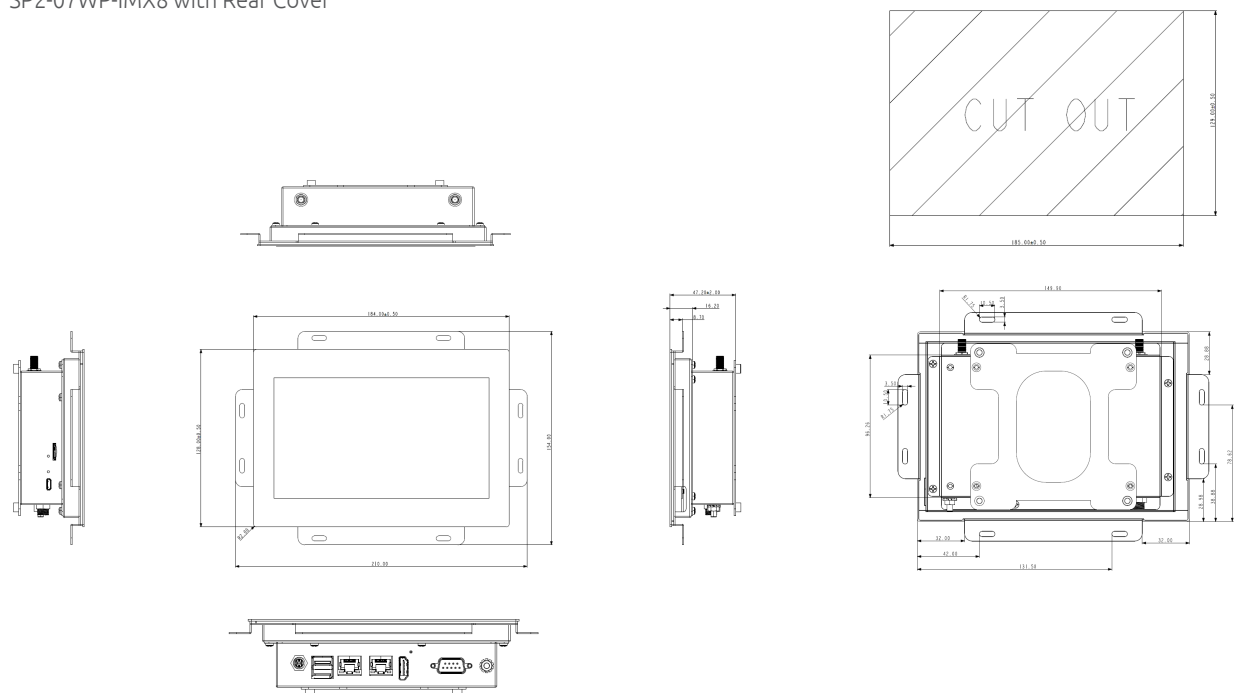
Model	SP2-07WP-IMX8	SP2-10WP-IMX8
System		
Size	7"	10.1"
Processor	NXP i.MX 8M Plus, ARM A53, 64-Bit, 1.8GHz, 4 Core / NXP i.MX 8M Plus, ARM A53, 64-Bit, 1.6GHz, 4 Core	
Memory	2 GB (Default) / 4 GB & 8 GB (Optional)	
Storage	32GB eMMC 5.1	
Display and Touch		
Size	7"	10.1"
Resolution	1024 x 600	1280 x 800
Contrast Ratio	800:1	800:1
Brightness	425 cd/m2 (typ)	300 cd/m2 (typ)
Backlight Life (Hrs)	70,000	50,000
Viewing Angle (U/D/R/L)	85/85/85/85	
Touchpoint	5 points	
Touch structure	Glass/Glass	
Surface Hardness	7H	
Surface Treatment	AG	
External I/O		
Ethernet	1x GbE port, RJ45 connector, 1G TSN, support wake on LAN, default 1x GbE port, RJ45 connector, support wake on LAN, optional	
USB Port	1x USB 3.2 Gen1 (5Gbps), Type A (default) or 1x USB 3.2 Gen1 (5Gbps) and 1x USB 2.0, Type A (Optional) 1x USB 2.0 Micro B OTG (default)	
DisplayPort	1x HDMI 2.0a, up to 3840x2160p30 for display, 1920x1080p60 for Video	
Buttons	1x Reset button, 1x Function/Recovery button, 1x wafer to support power button	
Internal I/O with Wire-to-Board Connectors		
Serial Port	1x RS485, with auto flow control (default) 1x RS-232/422/485 programmable, auto flow (Optional)	
I2C	2x for I2C client, wafer	
Audio (optional)	1x for 2x stereo speaker (2 watts), 1x Mic-in (Mono) and Line-out (Stereo), 1x buzzer	
CAN	1x CAN Bus, wafer	
M.2	1x 2230 A/E key for WiFi/Bluetooth	
Expansion IO (Optional)	1x USB 3.2 Gen1 (5Gbps), 1x I2C, 1x SPI, 4GPI&4GPO	
Power		
Power Input	12V (default) or 12-24V (optional)	
Power Connector	1x 2.5 Φ DC Jack (default) or 4-pin power connector (optional)	
Backup Battery	1x RTC battery	
Environmental		
Operating Temperature	0°C ~ 60°C / -20°C ~ 60°C	0°C ~ 60°C / -20°C ~ 60°C
Storage Temperature	-20°C ~ 70°C	-20°C ~ 70°C
Humidity	40°C, 95%	
Vibration	OP 1 Grms, 5-500Hz (Refer to IEC60068-2-64) X, Y, Z axes, 60 min/axis	
Shock	OP 20G peak acceleration (Half-Sine), Pulse Duration: 11ms (Refer to IEC60068-2-27), ±X, ±Y, ±Z, 3 shocks/axes	
ESD	Air: ±15kV, Contact: ±8kV	
EMC/Safety Compliance	CE/FCC class B EN 55032:2015 + A11:2020; EN 55035:2017 + A11:2020 BS EN 55032:2015 + A11:2020; BS EN 55035:2017 + A11:2020 AS/NZS CISPR 32:2015 + A1:2020 EN 60601-1-2:2015 + A1:2021; IEC 60601-1-2:2014 + A1:2020 BS EN 60601-1-2:2015 + A1:2021; EN IEC 61000-3-2:2019+A1:2021 BS EN IEC 61000-3-2:2019+A1:2021; EN 61000-3-3:2013+A1:2019+A2:2021 BS EN 61000-3-3:2013+A1:2019+A2:2021 EN IEC 61000-6-4:2019; EN IEC 61000-6-2:2019; BS EN IEC 61000-6-4:2019 BS EN IEC 61000-6-2:2019; EN 50121-3-2:2016+A1:2019; BS EN 50121-3-2:2016+A1:2019 EN 55011:2016+A11:2020 (Group1, class B) BS EN 55011:2016+A11:2020 IEC/EN 60601-1; IEC/EN 62368-1 2nd	
Software		
Operating System	Yocto Kirkstone LTS (5.15) (default), Android 13 (optional), Windows 10 (by demand)	
Mechanical		
Construction	SGCC	
Dimension (H x W x D)	184 x 154 mm	257.6 x 202.2 mm
Weight (without rear cover)	860g ± 25g	950g ± 28g
Mounting kit (optional accessories)	1) Panel Mounting 2) Rear cover 3) VESA bracket	

Mechanical Overview

SP2-07WP-IMX8 without Rear Cover

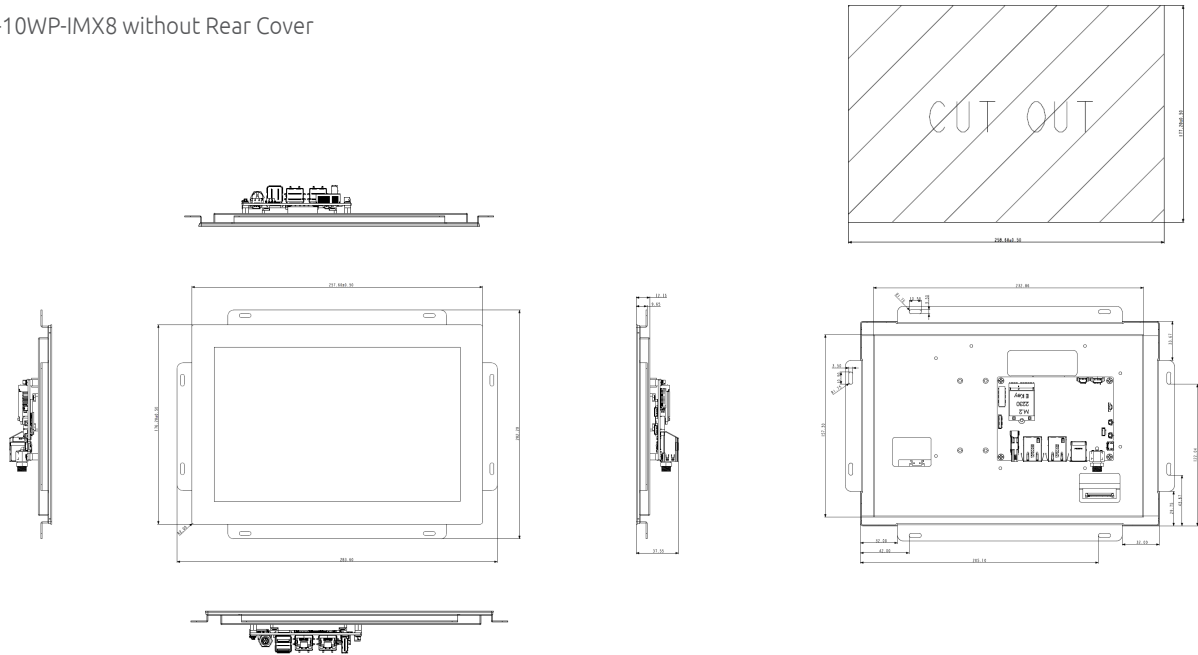


SP2-07WP-IMX8 with Rear Cover



Mechanical Overview

SP2-10WP-IMX8 without Rear Cover



SP2-10WP-IMX8 with Rear Cover

